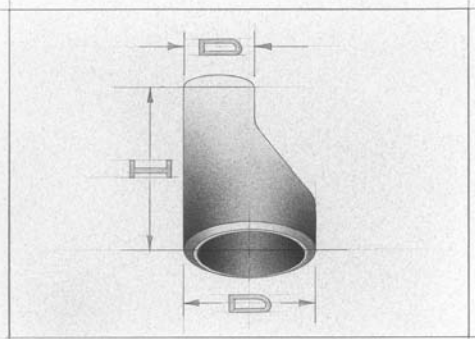
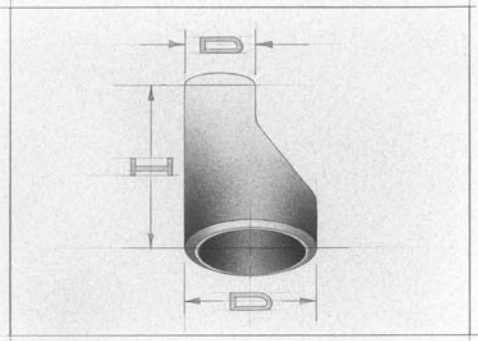


Eccentric REDUCERS



Key									
Reducing Sizes		Nominal Pipe Size		"D" Outside Diameter at Bevel				"H" End-to-End	
				Large End		Small End			
inches	mm	inches	mm	inches	mm	inches	mm	inches	mm
-	-	½	12.70	-	-	-	-	-	-
¾ x ½	19.05 x 12.70	¾	19.05	1.05	26.67	0.84	21.34	1.50	38.10
1 x ¾ 1 x ½	25.40 x 19.05 25.40 x 12.70	1	25.40	1.32 1.32	33.53 33.53	1.05 0.84	26.67 21.34	2.00 2.00	50.80 50.80
1¼ x 1 1¼ x ¾ 1¼ x ½	31.75 x 25.40 31.75 x 19.05 31.75 x 12.70	1¼	31.75	1.66 1.66 1.66	42.16 42.16 42.16	1.32 1.05 0.84	33.53 26.67 21.34	2.00 2.00 2.00	50.80 50.80 50.80
1½ x 1¼ 1½ x 1 1½ x ¾ 1½ x ½	38.10 x 31.75 38.10 x 25.40 38.10 x 19.05 38.10 x 12.70	1½	38.10	1.90 1.90 1.90 1.90	48.26 48.26 48.26 48.26	1.66 1.32 1.05 0.84	42.16 33.53 26.67 21.34	2.50 2.50 2.50 2.50	63.50 63.50 63.50 63.50
2 x 1½ 2 x 1¼ 2 x 1 2 x ¾	50.80 x 38.10 50.80 x 31.75 50.80 x 25.40 50.80 x 19.05	2	50.80	2.38 2.38 2.38 2.38	60.45 60.45 60.45 60.45	1.90 1.66 1.32 1.05	48.26 42.16 33.53 26.67	3.00 3.00 3.00 3.00	76.20 76.20 76.20 76.20
2½ x 2 2½ x 1½ 2½ x 1¼ 2½ x 1	63.50 x 50.80 63.50 x 38.10 63.50 x 31.75 63.50 x 25.40	2½	63.50	2.88 2.88 2.88 2.88	73.15 73.15 73.15 73.15	2.38 1.90 1.66 1.32	60.45 48.26 42.16 33.53	3.50 3.50 3.50 3.50	88.90 88.90 88.90 88.90
3 x 2½ 3 x 2 3 x 1½ 3 x 1¼	76.20 x 63.50 76.20 x 50.80 76.20 x 38.10 76.20 x 31.75	3	76.20	3.50 3.50 3.50 3.50	88.90 88.90 88.90 88.90	2.88 2.38 1.90 1.66	73.15 60.45 48.26 42.16	3.50 3.50 3.50 3.50	88.90 88.90 88.90 88.90
3½ x 3 3½ x 2½ 3½ x 2 3½ x 1½ 3½ x 1¼	88.90 x 76.20 88.90 x 63.50 88.90 x 50.80 88.90 x 38.10 88.90 x 31.75	3½	88.90	4.00 4.00 4.00 4.00 4.00	101.60 101.60 101.60 101.60 101.60	3.50 2.88 2.38 1.90 1.66	88.90 73.15 60.45 48.26 42.16	4.00 4.00 4.00 4.00 4.00	101.60 101.60 101.60 101.60 101.60
4 x 3½ 4 x 3 4 x 2½ 4 x 2 4 x 1½	101.60 x 88.90 101.60 x 76.20 101.60 x 63.50 101.60 x 50.80 101.60 x 38.10	4	101.60	4.50 4.50 4.50 4.50 4.50	114.30 114.30 114.30 114.30 114.30	4.00 3.50 2.88 2.38 1.90	101.60 88.90 73.15 60.45 48.26	4.00 4.00 4.00 4.00 4.00	101.60 101.60 101.60 101.60 101.60
5 x 4 5 x 3½ 5 x 3 5 x 2½ 5 x 2	127.00 x 101.60 127.00 x 88.90 127.00 x 76.20 127.00 x 63.50 127.00 x 50.80	5	127.00	5.56 5.56 5.56 5.56 5.56	141.22 141.22 141.22 141.22 141.22	4.50 4.00 3.50 2.88 2.38	114.30 101.60 88.90 73.15 60.45	5.00 5.00 5.00 5.00 5.00	127.00 127.00 127.00 127.00 127.00

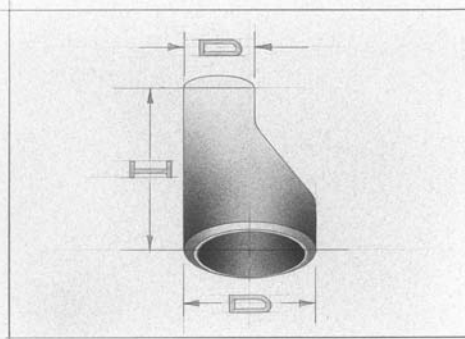
Eccentric REDUCERS



Key		Nominal Wall Thickness: inches mm Inside Diameter: inches mm Weight: Call factory for weights													
		Reducing Sizes		Schedule											
inches	mm	L.W.G.	10	20	30	40	STD WT	60	XS	80	100	120	140	160	XXS
-	-	-	-	-	-	.109 2.769	.109 2.769	-	.147 3.734	.147 3.734	-	-	-	.188 4.775	.294 7.468
¾ x ½	19.05 x 12.70	-	-	-	-	.113 2.870	.113 2.870	-	.154 3.912	.154 3.912	-	-	-	.219 5.563	.308 7.823
1 x ¾ 1 x ½	25.40 x 19.05 25.40 x 12.70	-	-	-	-	.133 3.378	.133 3.378	-	.179 4.547	.179 4.547	-	-	-	.250 6.350	.358 9.093
1¼ x 1 1¼ x ¾ 1¼ x ½	31.75 x 25.40 31.75 x 19.05 31.75 x 12.70	-	-	-	-	.140 3.556	.140 3.556	-	.191 4.851	.191 4.851	-	-	-	.250 6.350	.382 9.703
1½ x 1¼ 1½ x 1 1½ x ¾ 1½ x ½	38.10 x 31.75 38.10 x 25.40 38.10 x 19.05 38.10 x 12.70	-	-	-	-	.145 3.683	.145 3.683	-	.200 5.080	.200 5.080	-	-	-	.281 7.137	.400 10.160
2 x 1½ 2 x 1¼ 2 x 1 2 x ¾	50.80 x 38.10 50.80 x 31.75 50.80 x 25.40 50.80 x 19.05	-	-	-	-	.154 3.912	.154 3.912	-	.218 5.537	.218 5.537	-	-	-	.344 8.738	.436 11.074
2½ x 2 2½ x 1½ 2½ x 1¼ 2½ x 1	63.50 x 50.80 63.50 x 38.10 63.50 x 31.75 63.50 x 25.40	-	-	-	-	.203 5.156	.203 5.156	-	.276 7.010	.276 7.010	-	-	-	.375 9.525	.552 14.021
3 x 2½ 3 x 2 3 x 1½ 3 x 1¼	76.20 x 63.50 76.20 x 50.80 76.20 x 38.10 76.20 x 31.75	-	-	-	-	.216 5.486	.216 5.486	-	.300 7.620	.300 7.620	-	-	-	.438 11.125	.600 15.240
3½ x 3 3½ x 2½ 3½ x 2 3½ x 1½ 3½ x 1¼	88.90 x 76.20 88.90 x 63.50 88.90 x 50.80 88.90 x 38.10 88.90 x 31.75	-	-	-	-	.226 5.740	.226 5.740	-	.318 8.077	.318 8.077	-	-	-	-	.636* 16.154
4 x 3½ 4 x 3 4 x 2½ 4 x 2 4 x 1½	101.60 x 88.90 101.60 x 76.20 101.60 x 63.50 101.60 x 50.80 101.60 x 38.10	.188 4.775 4.124 104.749	-	-	-	.237 6.020	.237 6.020	-	.337 8.560	.337 8.560	-	.438 11.125	-	.531 13.487	.674 17.120
5 x 4 5 x 3½ 5 x 3 5 x 2½ 5 x 2	127.00 x 101.60 127.00 x 88.90 127.00 x 76.20 127.00 x 63.50 127.00 x 50.80	-	-	-	-	.258 6.553	.258 6.553	-	.375 9.525	.375 9.525	-	.500 12.700	-	.625 15.875	.750 19.050

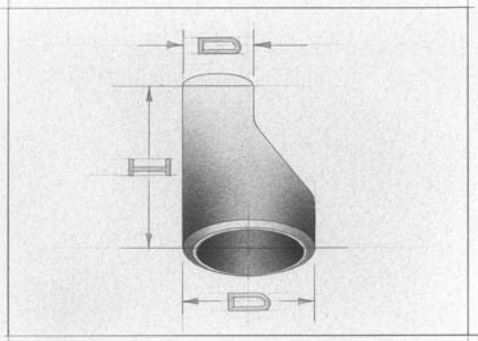
*Not given in ASME B36.10

Eccentric REDUCERS



Key									
Reducing Sizes		Nominal Pipe Size		"D" Outside Diameter at Bevel				"H" End-to-End	
				Large End		Small End			
inches	mm	inches	mm	inches	mm	inches	mm	inches	mm
6 x 5	152.40 x 127.00	6	152.40	6.62	168.15	5.56	141.22	5.50	139.70
6 x 4	152.40 x 101.60			6.62	168.15	4.50	114.30	5.50	139.70
6 x 3½	152.40 x 88.90			6.62	168.15	4.00	101.60	5.50	139.70
6 x 3	152.40 x 76.20			6.62	168.15	3.50	88.90	5.50	139.70
6 x 2½	152.40 x 63.50			6.62	168.15	2.88	73.15	5.50	139.70
6 x 2	152.40 x 50.80			6.62	168.15	-	-	5.50	139.70
8 x 6	203.20 x 152.40	8	203.20	8.63	219.20	6.63	168.40	6.00	152.40
8 x 5	203.20 x 127.00			8.63	219.20	5.56	141.22	6.00	152.40
8 x 4	203.20 x 101.60			8.63	219.20	4.50	114.30	6.00	152.40
8 x 3½	203.20 x 88.90			8.63	219.20	4.00	101.60	6.00	152.40
8 x 3	203.20 x 76.20			8.63	219.20	-	-	6.00	152.40
10 x 8	254.00 x 203.20	10	254.00	10.75	273.05	8.63	219.20	7.00	177.80
10 x 6	254.00 x 152.40			10.75	273.05	6.63	168.40	7.00	177.80
10 x 5	254.00 x 127.00			10.75	273.05	5.56	141.22	7.00	177.80
10 x 4	254.00 x 101.60			10.75	273.05	4.50	114.30	7.00	177.80
12 x 10	304.80 x 254.00	12	304.80	12.75	323.85	10.75	273.05	8.00	203.20
12 x 8	304.80 x 203.20			12.75	323.85	8.63	219.20	8.00	203.20
12 x 6	304.80 x 152.40			12.75	323.85	6.63	168.40	8.00	203.20
12 x 5	304.80 x 127.00			12.75	323.85	5.56	141.22	8.00	203.20
14 x 12	355.60 x 304.80	14	355.60	14.00	355.60	12.75	323.85	13.00	330.20
14 x 10	355.60 x 254.00			14.00	355.60	10.75	273.05	13.00	330.20
14 x 8	355.60 x 203.20			14.00	355.60	8.63	219.20	13.00	330.20
14 x 6	355.60 x 152.40			14.00	355.60	6.63	168.40	13.00	330.20
16 x 14	406.40 x 355.60	16	406.40	16.00	406.40	14.00	355.60	14.00	355.60
16 x 12	406.40 x 304.80			16.00	406.40	12.75	323.85	14.00	355.60
16 x 10	406.40 x 254.00			16.00	406.40	10.75	273.05	14.00	355.60
16 x 8	406.40 x 203.20			16.00	406.40	8.63	219.20	14.00	355.60
18 x 16	457.20 x 406.40	18	457.20	18.00	457.20	16.00	406.40	15.00	381.00
18 x 14	457.20 x 355.60			18.00	457.20	14.00	355.60	15.00	381.00
18 x 12	457.20 x 304.80			18.00	457.20	12.75	323.85	15.00	381.00
18 x 10	457.20 x 254.00			18.00	457.20	10.75	273.05	15.00	381.00
20 x 18	508.00 x 457.20	20	508.00	20.00	508.00	18.00	457.20	20.00	508.00
20 x 16	508.00 x 406.40			20.00	508.00	16.00	406.40	20.00	508.00
20 x 14	508.00 x 355.60			20.00	508.00	14.00	355.60	20.00	508.00
20 x 12	508.00 x 304.80			20.00	508.00	12.75	323.85	20.00	508.00
22 x 20	558.80 x 508.00	22	558.80	22.00	558.80	20.00	508.00	20.00	508.00
22 x 18	558.80 x 457.20			22.00	558.80	18.00	457.20	20.00	508.00
22 x 16	558.80 x 406.40			22.00	558.80	16.00	406.40	20.00	508.00
22 x 14	558.80 x 355.60			22.00	558.80	14.00	355.60	20.00	508.00
24 x 22	609.60 x 558.80	24	609.60	24.00	609.60	22.00	558.80	20.00	508.00
24 x 20	609.60 x 508.00			24.00	609.60	20.00	508.00	20.00	508.00
24 x 18	609.60 x 457.20			24.00	609.60	18.00	457.20	20.00	508.00
24 x 16	609.60 x 406.40			24.00	609.60	16.00	406.40	20.00	508.00

Eccentric REDUCERS



Key		Nominal Wall Thickness: inches mm Inside Diameter: inches mm Weight: Call factory for weights													
		Reducing Sizes		Schedule											
inches	mm	L.W.G.	10	20	30	40	STD WT	60	XS	80	100	120	140	160	XXS
6 x 5	152.40 x 127.00	.219	-	-	-	.280	.280	-	.432	.432	-	.562	-	.719	.864
6 x 4	152.40 x 101.60	5.563	-	-	-	7.112	7.112	-	10.973	10.973	-	14.275	-	18.263	21.946
6 x 3½	152.40 x 88.90	6.187	-	-	-	6.065	6.065	-	5.761	5.761	-	5.501	-	5.187	4.897
6 x 3	152.40 x 76.20	157.150	-	-	-	154.051	154.051	-	146.329	146.329	-	139.725	-	131.750	124.384
6 x 2½	152.40 x 63.50														
6 x 2	152.40 x 50.80														
8 x 6	203.20 x 152.40	.219	-	.250	.277	.322	.322	.406	.500	.500	.594	.719	.812	.906	.875
8 x 5	203.20 x 127.00	5.563	-	6.350	7.036	8.179	8.179	10.312	12.700	12.700	15.088	18.263	20.625	23.012	22.225
8 x 4	203.20 x 101.60	8.187	-	8.125	8.071	7.981	7.981	7.813	7.625	7.625	7.437	7.187	7.001	6.813	6.875
8 x 3½	203.20 x 88.90	207.949	-	206.375	205.003	202.717	202.717	198.450	193.675	193.675	188.900	182.550	177.825	173.050	174.625
8 x 3	203.20 x 76.20														
10 x 8	254.00 x 203.20	.219	-	.250	.307	.365	.365	.500	.500	.594	.719	.844	1.000	1.125	1.000
10 x 6	254.00 x 152.40	5.563	-	6.350	7.798	9.271	9.271	12.700	12.700	15.088	18.263	21.438	25.400	28.575	25.400
10 x 5	254.00 x 127.00	10.312	-	10.250	10.136	10.020	10.020	9.750	9.750	9.562	9.312	9.062	8.750	8.500	8.750
10 x 4	254.00 x 101.60	261.925	-	260.350	257.454	254.508	254.508	247.650	247.650	242.875	236.525	230.175	222.250	215.900	222.250
12 x 10	304.80 x 254.00	.250	-	.250	.330	.406	.375	.562	.500	.688	.844	1.000	1.125	1.312	1.000
12 x 8	304.80 x 203.20	6.350	-	6.350	8.382	10.312	9.525	14.275	12.700	17.475	21.438	25.400	28.575	33.325	25.400
12 x 6	304.80 x 152.40	12.250	-	12.250	12.090	11.938	12.000	11.626	11.750	11.374	11.062	10.750	10.500	10.126	10.750
12 x 5	304.80 x 127.00	311.150	-	311.150	307.086	303.225	304.800	295.300	295.300	288.900	280.975	273.050	266.700	257.200	273.050
14 x 12	355.60 x 304.80	.250	.250	.312	.375	.438	.375	.594	.500	.750	.938	1.094	1.250	1.406	-
14 x 10	355.60 x 254.00	6.350	6.350	7.925	9.525	11.125	9.525	15.088	12.700	19.050	23.825	27.788	31.750	35.712	-
14 x 8	355.60 x 203.20	13.500	13.500	13.376	13.250	13.124	13.250	12.812	13.000	12.500	12.124	11.812	11.500	11.188	-
14 x 6	355.60 x 152.40	342.900	342.900	339.750	336.550	333.350	336.550	325.425	330.200	317.500	307.950	300.025	292.100	284.175	-
16 x 14	406.40 x 355.60	.250	.250	.312	.375	.500	.375	.656	.500	.844	1.031	1.219	1.438	1.594	-
16 x 12	406.40 x 304.80	6.350	6.350	7.925	9.525	12.700	9.525	16.662	12.700	21.438	26.187	30.963	36.525	40.488	-
16 x 10	406.40 x 254.00	15.500	15.500	15.376	15.250	15.000	15.250	14.688	15.000	14.312	13.938	13.562	13.124	12.812	-
16 x 8	406.40 x 203.20	393.700	393.700	390.550	387.350	381.000	387.350	373.075	381.000	363.525	354.025	344.475	333.350	325.425	-
18 x 16	457.20 x 406.40	.250	.250	.312	.438	.562	.375	.750	.500	.938	1.156	1.375	1.562	1.781	-
18 x 14	457.20 x 355.60	6.350	6.350	7.925	11.125	14.275	9.525	19.050	12.700	23.825	29.362	34.925	39.675	45.237	-
18 x 12	457.20 x 304.80	17.500	17.500	17.376	17.124	16.876	17.250	16.500	17.000	16.124	15.688	15.250	14.876	14.438	-
18 x 10	457.20 x 254.00	444.500	444.500	441.350	434.950	428.650	438.150	419.100	431.800	409.550	398.475	387.350	377.850	366.725	-
20 x 18	508.00 x 457.20	.250	.250	.375	.500	.594	.375	.812	.500	1.031	1.281	1.500	1.750	1.969	-
20 x 16	508.00 x 406.40	6.350	6.350	9.525	12.700	15.088	9.525	20.625	12.700	26.187	32.537	38.100	44.450	50.013	-
20 x 14	508.00 x 355.60	19.500	19.500	19.250	19.000	18.812	19.250	18.376	19.000	17.938	17.438	17.000	16.500	16.062	-
20 x 12	508.00 x 304.80	495.300	495.300	488.950	482.600	477.825	488.950	466.750	482.600	455.625	442.925	431.800	419.100	407.975	-
22 x 20	558.80 x 508.00	-	.250	.375	.500	-	.375	.875	.500	1.125	1.375	1.625	1.875	2.125	-
22 x 18	558.80 x 457.20	-	6.350	9.525	12.700	-	9.525	22.225	12.700	28.575	34.925	41.275	47.625	53.975	-
22 x 16	558.80 x 406.40	-	21.500	21.250	21.000	-	21.250	20.250	21.000	19.750	19.250	18.750	18.250	17.750	-
22 x 14	558.80 x 355.60	-	546.100	539.750	533.400	-	539.750	514.350	533.400	501.650	488.950	476.250	463.550	450.850	-
24 x 22	609.60 x 558.80	.250	.250	.375	.562	.688	.375	.969	.500	1.219	1.531	1.812	2.062	2.344	-
24 x 20	609.60 x 508.00	6.350	6.350	9.525	14.275	17.475	9.525	24.613	12.700	30.963	38.887	46.025	52.375	59.538	-
24 x 18	609.60 x 457.20	23.500	23.500	23.250	22.876	22.624	23.250	22.062	23.000	21.562	20.938	20.376	19.876	19.312	-
24 x 16	609.60 x 406.40	596.900	596.900	590.550	581.050	574.650	590.550	560.375	584.200	547.675	531.825	517.550	504.850	490.525	-